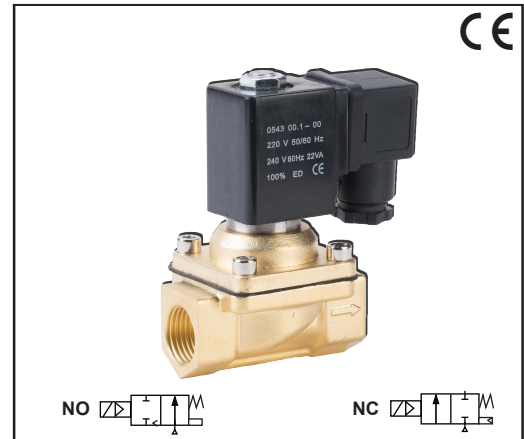


Features

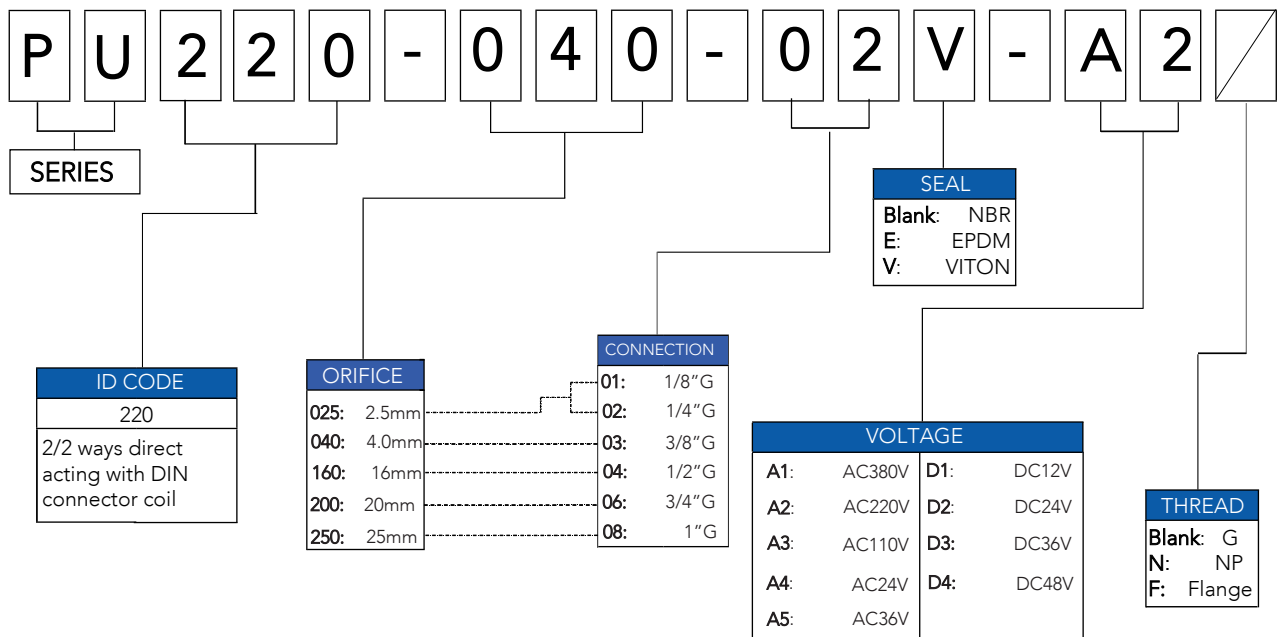
- Zero pressure start, quick reaction time, flow capacity higher than pilot operated type
- Reliable, proven design with high flows
- Direct acting design, it has strong resistance to impurities in the medium
- Industrial applications include:
 - Car Wash
 - Air Compressors
 - Pumps
 - Laundry Equipment
 - Industrial Water Control
 - Water Treatment



Electrical

Standard Coil	Watt Rating and Power Consumption				Spare Coil Part Number			
	DC Watt	AC			General Purpose		Explosionproof	
		Watt	VA Holdin	VA Inrus	AC	DC	AC	DC
F	13	22	22	40	0545-AC	0545-DC	1680-AC	1680-DC
F	13	22	25	70	0543-AC	0543-DC	1661-AC	1661-DC
F	13	22	35	180	-	-	1381-AC	1381-DC

Ordering Code



Order Example:

PU series direct acting 2/2 ways solenoid valve, 1/2" port size, VITON diaphragm seals, AC220V, DIN connector, BSPP (G) thread.
SENYA part# PU220-160-04V-A2



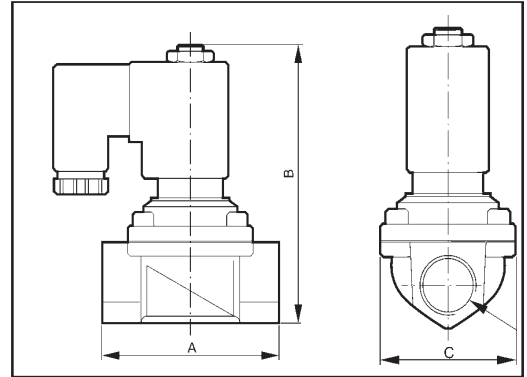
Direct Acting
General Service Solenoid Valves
 Brass Bodies
 1/8" to 1" BSPP

2/2
SERIES
PU220

2-WAY

Dimensions Sheet (mm)

Model	Port Size	A	B	C
PU220-025-01-A2	1/8 "	30	62	22
PU220-025-02-A2	1/4 "	30	62	22
PU220-040-03-A2	3/8 "	67.5	101	48
PU220-160-04-A2	1/2 "	67.5	101	48
PU220-200-06-A2	3/4 "	75	107	58
PU220-250-08-A2	1 "	96	121	70



Specifications (Metric units)

Pipe Size (in)	Orifice Size (mm)	CV Flow Factor	Operating Pressure Differential (Bar)							Max. Fluid Temp. °C		Brass	Stainless Steel 304	Watt Rating/ Class of Coil Insulation	
			Min.	Max. AC			Max. DC			AC	DC			Catalog Number	Catalog Number
				Air-Inert Gas	Water	Light Oil less 50 CST	Air-Inert Gas	Water	Light Oil less 50 CST						
NORMALLY CLOSED (Closed when de-energized)															
1/8	2.5	0.23	0	7	7	7	5	5	5	80	80	PU220-025-01-A2	-	6.1/F	11.6/F
1/8	2.5	0.23	0	7	7	-	5	5	-	120	120	PU220-025-01E-A2	-	10.1/F	11.6/F
1/8	2.5	0.23	0	7	7	7	5	5	5	120	120	PU220-025-01V-A2	-	6.1/F	11.6/F
1/4	2.5	0.23	0	7	7	7	5	5	5	80	80	PU220-025-02-A2	-	17.1/F	-
1/4	2.5	0.23	0	7	7	-	5	5	-	120	120	PU220-025-02E-A2	-	6.1/F	11.6/F
1/4	2.5	0.23	0	7	7	7	5	5	5	120	120	PU220-025-02V-A2	-	10.1/F	11.6/F
3/8	4	0.6	0	8	8	5	5	5	5	80	80	PU220-040-03-A2	-	17.1/F	11.6/F
3/8	4	0.6	0	8	8	5	5	5	5	120	120	PU220-040-03E-A2	-	6.1/F	11.6/F
3/8	4	0.6	0	8	8	5	5	5	5	120	120	PU220-040-03V-A2	-	17.1/F	-
1/2	16	4.8	0	10	10	7	6	6	4	80	80	PU220-160-04-A2	-	17.1/F	40.6H
1/2	16	4.8	0	10	10	7	6	6	4	120	120	PU220-160-04E-A2	-	17.1/F	11.6/F
1/2	16	4.8	0	10	10	7	6	6	4	120	120	PU220-160-04V-A2	-	6.1/F	11.6/F
3/4	20	7.6	0	10	10	7	6	6	4	80	80	PU220-200-06-A2	-	10.1/F	11.6/F
3/4	20	7.6	0	10	10	7	6	6	4	120	120	PU220-200-06E-A2	-	6.1/F	11.6/F
3/4	20	7.6	0	10	10	7	6	6	4	120	120	PU220-200-06V-A2	-	16.1/F	30.8/F
1	25	12	0	10	10	7	6	6	4	80	80	PU220-250-08-A2	-	16.1/F	30.8/F
1	25	12	0	10	10	7	6	6	4	120	120	PU220-250-08E-A2	-	6.1/F	11.6/F
1	25	12	0	10	10	7	6	6	4	120	120	PU220-250-08V-A2	-	20.1/F	-

***Note:**

Standard Voltages must be specified when ordering. Other voltages please consult SENYA staff for more details