

Features

- Pilot-oriented of internal pilot or external pilot.
- Structure in sliding column with good tightness and sensitive reaction.
- Double control solenoid valves have memory function.
- Internal hole adopts special processing technology with the only 3-5 μm thickness of an anti-wear coating, providing little attrition friction, low start pressure and long service life.
- No need to add oil for lubrication.
- Integrate with the manifold to save installation space.



Product Information

Model	V4110-M5 V4110-06	V4130C-M5/06 V4130E-M5/06 V4130P-M5/06	V4120-M5 V4120-06	V4210-06 V4210-08	V4230C-06/08 V4230E-06/08 V4230P-06/08	V4220-06 V4220-08	V4310-08 V4310-10	V4330C-08/10 V4330E-08/10 V4330P-08/10	V4320-08 V4320-10	V4410-15	V4430C-15 V4430E-15 V4430P-15	V4420-15
Weight (g)	120	200	175	220	360	320	310	450	400	590	770	720
Material of Body	Aluminum alloy											
Valve Type	5 ports and 2 positions or 5 ports and 3 positions											
Thread Type	G thread standard default, PT, NPT thread are available											
Lubrication Notes	Once lubricated used, continue with same medium to optimize valve life span											
DIN Connector	A variety of color options: Black, Translucent Tawny, Transparent											

Specifications

Model	V4110-M5 V4120-M5 V4130-M5	V4110-06 V4120-06 V4130-06	V4210-06 V4220-06 V4230-06	V4210-08 V4220-08 V4230-08	V4310-08 V4320-08 V4330-08	V4310-10 V4320-10 V4330-10	V4410-10 V4420-10 V4430-10	V4410-15 V4420-15 V4430-15	
Port size	M5	1/8"	1/8"	1/4"	1/4"	3/8"	3/8"	1/2"	
Orifice Size (Cv)	5/2 5/3	5.5 mm ² Cv:0.31 5.5 mm ² Cv:0.28	12 mm ² Cv:0.67 9 mm ² Cv:0.5	16 mm ² Cv:0.89 12 mm ² Cv:0.67	16 mm ² Cv:0.89 18 mm ² Cv:1.00	25 mm ² Cv:1.40 18 mm ² Cv:1.00	30 mm ² Cv:1.68 18 mm ² Cv:1.00	50 mm ² Cv:2.79 30 mm ² Cv:1.67	50 mm ² Cv:2.79 30 mm ² Cv:1.68
Working Medium	Air (to be filtered by 40 μm filter element)								
Acting Type	Internal pilot type / External pilot type								
Reset Type	Air reset / Spring reset								
Lubrication	Not required								
Working Pressure	0.15 - 0.8 Mpa (21 - 114 Psi)								
Max. Proof Pressure	1.2 Mpa (0 - 174 Psi)								
Working Temperature	-5 - 60°C (No Freezing)								
Voltage Range	AC : ±15% & DC: ±10%								
Power Consumption	AC220V: 3.5 VA	AC110V: 3.5 VA	AC24V: 4.0 VA	DC24V: 2.5 W	DC12V: 2.5 W				
Insulation & Protection	Class F ; IP65 (DIN40050)								
Connection Form	Line type or Terminal type								
Highest Acting Frequency	5 Cycles / Second								
Shortest Excitation Time	0.05 Second								

5/2, 5/3
SERIES
V

Directional Valve
5/2 or 5/3 Solenoid Valve
Pilot-oriented
1 - 4 series body size



Ordering Code

V A 4 2 3 0 P - 0 6 / / / J - N

Series Code	
V:	Spring return series
VA:	Air return series

Body Size	
1:	1 series body size
2:	2 series body size
3:	3 series body size
4:	4 series body size

Coil Control	
10:	Single Coil Control
20:	Double Coils Control
30C:	5/3 way Center Closed
30E:	5/3 way Center Exhaust
30P:	5/3 way Center Pressure

Port Size	
M5:	M5
06:	1/8"
08:	1/4"
10:	3/8"
15:	1/2"

VOLTAGE			
A1:	AC380V	D1:	DC12V
A2:	AC220V	D2:	DC24V
A3:	AC110V		
A4:	AC24V		

Electrical Entry	
Blank:	DIN Connector
F:	Flying leads (0.5m)

DIN Connector Type	
Blank:	Brown Translucent
B:	Black Non-Translucent
J:	Translucent

Thread Standard	
Blank:	G
P:	PT
N:	NPT

Note: Valve body color can be customized. Please consult SENYA staffs for more details.

Note: if chooses VA series, no need for this code.

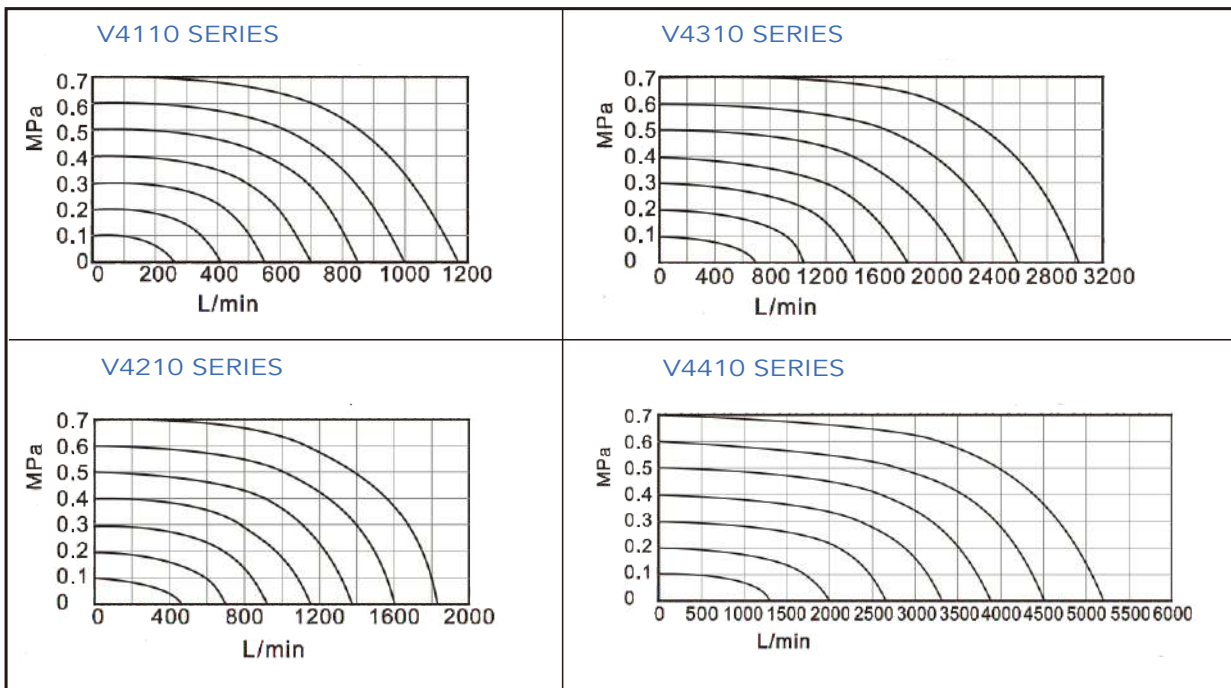
Note: it only for DIN connector option

Note: if chooses M5 thread, no need for this code.

Ordering Example:

5/2 ways, solenoid valve , 3 series body size, single coil control, DC24V, DIN connector, 1/4" G
SENYA part# V4310-08D2

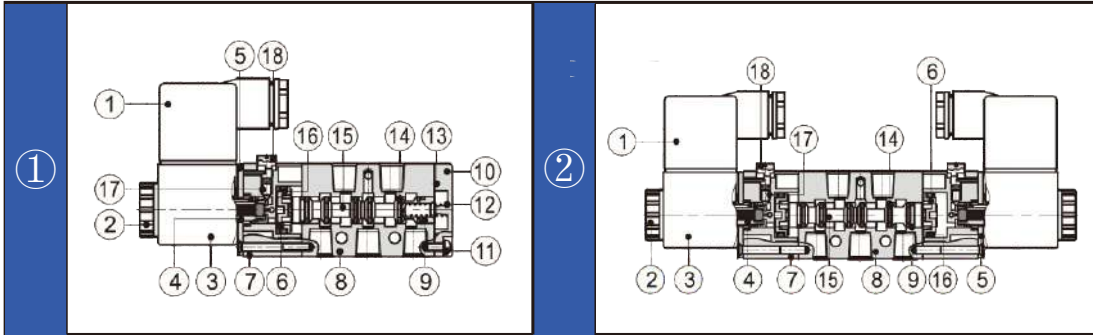
Flow Chart:



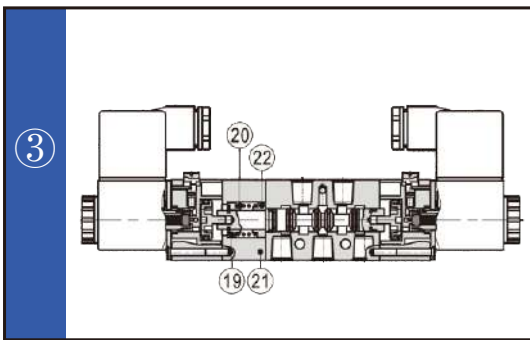
Product Structure:

① Single Coil Control

② Double Coils Control



③ Double Coils Control with 3 positions



1	Connector	4	Armature	7	Pilot kit	10	Bottom cover	13	Bottom cover gasket	16	Piston O-ring	19	Spring holder	22	Spring holder
2	Coil net	5	Fixed plate	8	Body	11	Fixed screw	14	Spool O-ring	17	Override spring	20	Return spring		
3	Coil	6	Piston	9	Wear ring	12	Spool spring	15	Spool	18	Manual override	21	Side cover		

Product Dimensions (1 - 4 body series):

1 series
DIN, SC

Model	Code	A	B	C	D	E	F	G
V4110-M5	M5* 0.8	27	14.7	0	14	21.2	0	
V4110-06	1/8"	28	14.2	1	16	20.2	3	

1 series
FL, SC

Model	Code	A	B	C	D	E	F	G
V4110-M5	M5* 0.8	27	14.7	0	14	21.2	0	
V4110-06	1/8"	28	14.2	1	16	20.2	3	

