

ISO1552 Pneumatic Cylinder
SERIES standard cylinder
SC Bore 32 - 125mm
Stroke 25- 1000 mm



Features

- Lubrication-free: with self-lubricating bearing the lubrication of plunger rod is not needed.
- Special design in air cushion to reduce buffering and increasing product life.
- TPU cushion has excellent material characteristics, and it can withstand high frequency action.
- With magnetic element: a permanent magnet is mounted on the cylinder plunger and it is used to actuated the magnetic switch mounted on the cylinder to detect the acting position of the cylinder .



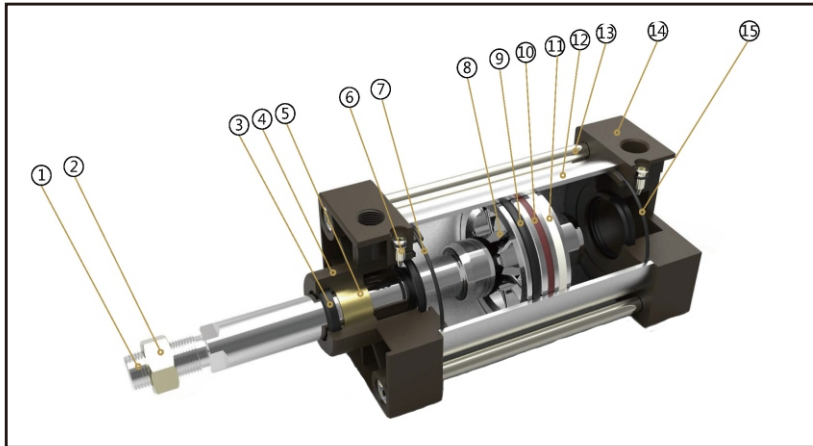
Product Information

Bore	32	40	50	63	80	100	125
Operation	Double Acting						
Working Medium	Air (to be filtered by 40 μm filter element)						
Mountings	Basic FA FB CA CB LB						
Operating Pressure	0.1 ~ 0.9 Mpa						
Proof Pressure	1.35 Mpa						
Operating Temperature	- 5 ~ 70 °C						
Operating Speed	50 ~ 800 mm/s						
Cushion	Adjustable Cushion						
Port Size	1/8"	1/4"	3/8"	1/2"			

Specifications

Bore	Standard Stroke																	Max. Stroke	Allowable Stroke				
32	25	50	75	80	100	125	150	160	175	200	250	300	350	400	450	500	1000	2000					
40	25	50	75	80	100	125	150	160	175	200	250	300	350	400	450	500	600	700	800	1200	2000		
50	25	50	75	80	100	125	150	160	175	200	250	300	350	400	450	500	600	700	800	900	1000	1200	2000
63	25	50	75	80	100	125	150	160	175	200	250	300	350	400	450	500	600	700	800	900	1000	1500	2000
80	25	50	75	80	100	125	150	160	175	200	250	300	350	400	450	500	600	700	800	900	1000	1500	2000
100	25	50	75	80	100	125	150	160	175	200	250	300	350	400	450	500	600	700	800	900	1000	1500	2000
125	25	50	75	80	100	125	150	160	175	200	250	300	350	400	450	500	600	700	800	900	1000	1500	2000

Internal Structure:



No.	Comopnent Description	No.	Comopnent Description
1	Piston Rod	9	Piston seal
2	Hexagon nut	10	Magnet
3	Shaft seal	11	Anti-friction ring
4	Front cover	12	Barrel
5	Dust scraping ring	13	Pull rod
6	Cushion adjust screw	14	Back cover
7	Cushion seal	15	O-ring
8	Piston		

Ordering Code

S C / 5 0 X 5 0 - 1 0 - S - C A

Series Code
standard cylinder

Series Code
Blank: standard double cylinder
D: double-shaft double cylinder
J: double-shaft with adjustable stroke

Bore Size

32
40
50
63
80
100
125

Stroke

25 - 500 mm
25 - 800 mm
25 - 1000 mm
25 - 1000 mm
25 - 1000 mm
25 - 1000 mm

Adjust Stroke

10
20
30
50
75
100

Magnet

Blank: without magnet
S: with magnet

Blank: basic type

LB: front and back fixed type
FA: front cover fixed type (flange type)
FB: back cover fixed type (flange type)
CA: Back cover male clevis
CB: Back cover female clevis with Pin
TC: swinging type
TCM: swinging type attaching seat

Ordering Example:

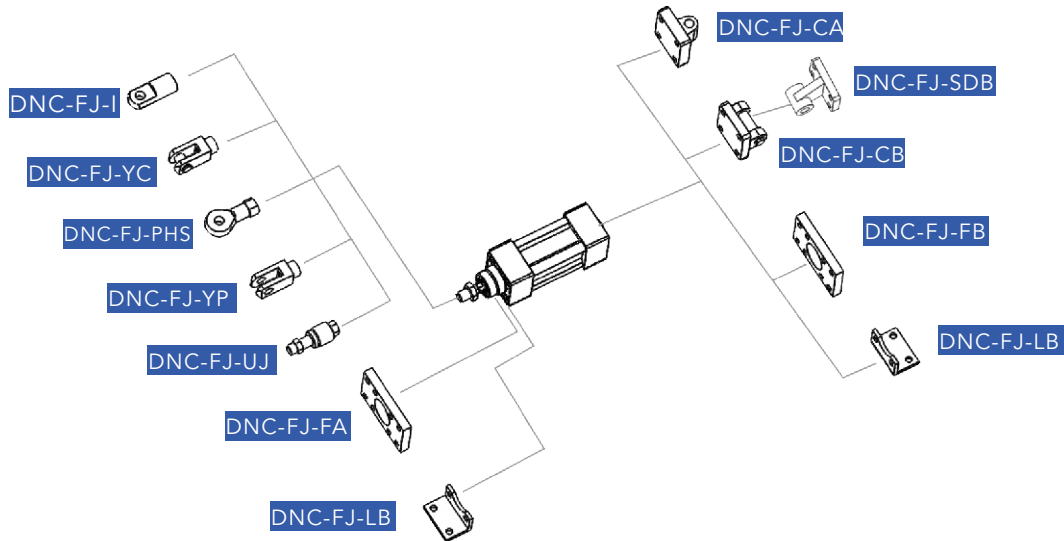
standard cylinder , 50 bore size, 50 stroke size, with magnet, and front and back fixed type
SENYA part# SC50X50-S-LB

SERIES
SC

Pneumatic Cylinder
standard cylinder

Bore 32 - 125mm
Stroke 25- 1000 mm

Product Accessories:



Product Dimensions :

